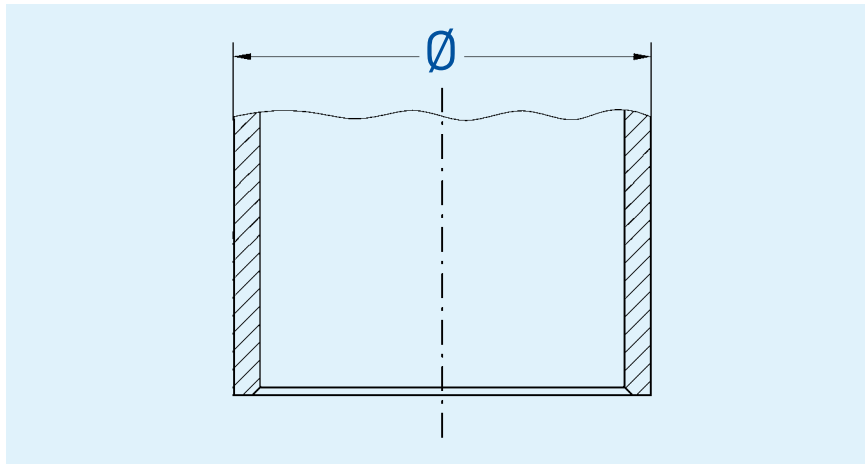


Rohraußendurchmesser für Druckrohre

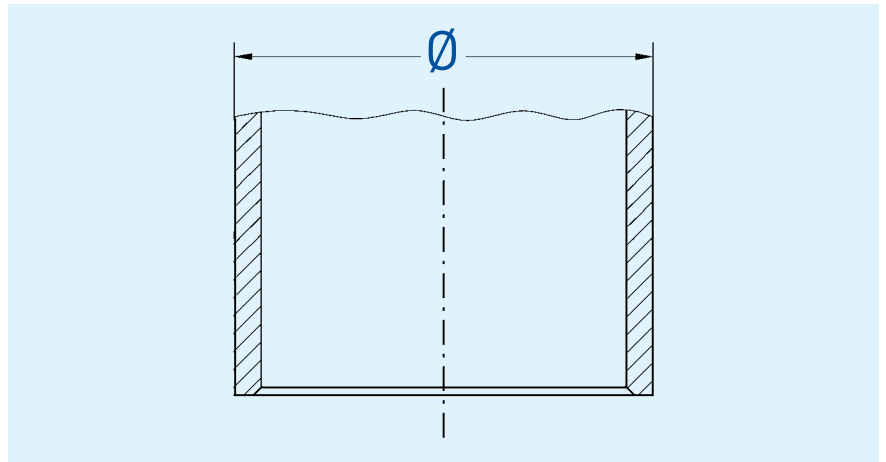
Outside diameter of pressure pipes



| DN | PVC-U-Rohr PVC pipe | PVC-40/80 inches PVC 40/80 inches | PE-Rohr PE pipe | Stahlrohr Steel pipe | | GGG-Rohr DCI pipe | | engl. GG-Rohr engl. CI pipe | GG-Rohr DIN 28511 CI pipe DIN 28511 | | |
|------|-------------------------------------|--|-------------------------------------|----------------------------|----------------------------|--------------------------------------|----|--------------------------------------|--|-------|-------|
| | EN 1452-2 | | EN 1555-2 EN 12201-2 | DIN EN 10220 (DIN 2448) | DIN EN 10220 (DIN 2458) | EN 545 EN 598 EN 969 | PN | | PN 10/16 | PN 25 | PN 40 |
| 40 | 50 ^{+0,2} _{0,0} | 48,3 | 50 ^{+0,4} _{0,0} | 44,5 | 48,3 | 56 ^{+1,0} _{-1,2} | 40 | 54 | 56 ^{+3,0} _{-2,0} | | |
| 50 | 63 ^{+0,3} _{0,0} | 60,3 | 63 ^{+0,4} _{0,0} | 57,0 | 60,3 | 66 ^{+1,0} _{-1,2} | 40 | 68 | 66 ^{+3,0} _{-2,0} | 67 | 70 |
| 65 | 75 ^{+0,3} _{0,0} | 76,1 | 75 ^{+0,5} _{0,0} | 76,1 | 76,1 | 82 ^{+1,0} _{-1,2} | 40 | | 82 ^{+3,0} _{-2,0} | | |
| 70 | | | | | | | 40 | | | | |
| 80 | 90 ^{+0,3} _{0,0} | 88,9 | 90 ^{+0,6} _{0,0} | 88,9 | 88,9 | 98 ^{+1,0} _{-2,7} | 40 | 95/101 | 98 ^{+3,0} _{-2,0} | 100 | 104 |
| 100 | 110 ^{+0,4} _{0,0} | 114,3 | 110 ^{+0,7} _{0,0} | 108,0 | 114,3 | 118 ^{+1,0} _{-2,8} | 40 | 122 | 118 ^{+3,0} _{-2,0} | 122 | 128 |
| 100 | | | 125 ^{+0,8} _{0,0} | | | | 40 | | | | |
| 125 | 125 ^{+0,4} _{0,0} | 139,7 | | 133,0 | 139,7 | 144 ^{+1,0} _{-2,8} | 40 | 148 | 144 ^{+2,0} _{-3,0} | 149 | 155 |
| 125 | 140 ^{+0,5} _{0,0} | | 140 ^{+0,9} _{0,0} | | | | 40 | | | | |
| 150 | 160 ^{+0,6} _{0,0} | 168,3 | 160 ^{+1,0} _{0,0} | 159,0 | 168,3 | 170 ^{+1,0} _{-2,9} | 40 | 174 | 170 ^{+3,0} _{-2,0} | 176 | 184 |
| 150 | 180 ^{+0,6} _{0,0} | | 180 ^{+1,1} _{0,0} | | | | 40 | | | | |
| 200 | 200 ^{+0,6} _{0,0} | 219,1 | 200 ^{+1,2} _{0,0} | 216 | 219,1 | 222 ^{+1,0} _{-3,0} | 40 | 228 | 222 ^{+4,0} _{-2,0} | 230 | 242 |
| 200 | 225 ^{+0,7} _{0,0} | | 225 ^{+1,4} _{0,0} | | | | 40 | | | | |
| 250 | 250 ^{+0,8} _{0,0} | 273,0 | 250 ^{+1,5} _{0,0} | 267 | 273,0 | 274 ^{+1,0} _{-3,1} | 40 | 284 | 274 ^{+4,0} _{-2,0} | 286 | 298 |
| 250 | 280 ^{+0,9} _{0,0} | | 280 ^{+1,7} _{0,0} | | | | 40 | | | | |
| 300 | 315 ^{+1,0} _{0,0} | 323,9 | 315 ^{+1,9} _{0,0} | 318 | 323,9 | 326 ^{+1,0} _{-3,3} | 40 | 337 | 326 ^{+5,0} _{-3,0} | 340 | 356 |
| 350 | 355 ^{+1,0} _{0,0} | 355,6 | 355 ^{+2,2} _{0,0} | 368 | 355,6 | 378 ^{+1,0} _{-3,4} | 32 | | 378 ^{+5,0} _{-3,0} | 394 | 412 |
| 400 | 400 ^{+1,0} _{0,0} | 406,4 | 400 ^{+2,4} _{0,0} | 419 | 406,4 | 429 ^{+1,0} _{-3,5} | 32 | 444 | 429 ⁺¹⁰ _{-5,0} | 448 | 470 |
| 400 | 450 ^{+1,0} _{0,0} | | 450 ^{+2,7} _{0,0} | | | | 32 | | | | |
| 500 | 500 ^{+1,0} _{0,0} | 508,0 | 500 ^{+3,0} _{0,0} | 521 | 508,0 | 532 ^{+1,0} _{-3,8} | 32 | 548 | 532 ⁺¹⁰ _{-5,0} | 558 | |
| 500 | 560 ^{+1,0} _{0,0} | | 560 ^{+3,4} _{0,0} | | | | 32 | | | | |
| 600 | 630 ^{+1,0} _{0,0} | 609,6 | 630 ^{+3,8} _{0,0} | 610 | 610,0 | 635 ^{+1,0} _{-4,0} | 32 | 658 | 635 ⁺¹⁰ _{-5,0} | | |
| 700 | 710 ^{+1,0} _{0,0} | | 710 ^{+4,9} _{0,0} | | 711,0 | 738 ^{+1,0} _{-4,3} | 25 | 768 | 738 ⁺¹⁰ _{-5,0} | | |
| 800 | 800 ^{+1,0} _{0,0} | | 800 ^{+5,0} _{0,0} | | 813,0 | 842 ^{+1,0} _{-4,5} | 25 | | 842 ⁺¹⁰ _{-5,0} | | |
| 900 | 900 ^{+1,0} _{0,0} | | 900 ^{+5,0} _{0,0} | | 914,0 | 945 ^{+1,0} _{-4,8} | 25 | | 945 ⁺¹⁰ _{-5,0} | | |
| 1000 | 1000 ^{+1,0} _{0,0} | | 1000 ^{+5,0} _{0,0} | | 1016,0 | 1048 ^{+1,0} _{-5,0} | 25 | | 1048 ⁺¹⁰ _{-5,0} | | |
| 1100 | | | | | | 1152 ^{+1,0} _{-6,0} | 25 | | 1152 ⁺¹⁰ _{-5,0} | | |
| 1200 | | | 1200 ^{+6,0} _{0,0} | | 1220,0 | 1255 ^{+1,0} _{-5,8} | 20 | | 1255 ⁺¹⁰ _{-5,0} | | |

Alle Maße in mm.
All dimensions are in mm.

Rohraußendurchmesser für Druckrohre Outside diameter of pressure pipes



| DN | AZ-Rohr DIN 19800 kalibriert Asbestos cement pipe DIN 19800 calibrated | | | | | Toleranz tolerance | FZ-Rohr DIN 19840 Fibro cement pipe DIN 19840 | | GFK-Rohr DIN 16869 GFK pipe DIN 16869 | | | GRP-Rohr GRP pipe |
|------|---|-----------------------------------|---|---------|-------|-----------------------|--|-------------------------------------|--|-------------------------------------|-------------------------------------|----------------------|
| | PN 6 | PN 10 kalibriert calibrated | PN 10 unkalibriert not calibrated | PN 12,5 | PN 16 | | Klasse A class A | Klasse B class B | Serie 1 series 1 | Serie 2 series 2 | Serie 3 series 3 | |
| 40 | | | | | | ±0,5 | | | | | | 48,3 |
| 50 | | | | | | ±0,5 | 64 ^{+3,0} _{0,0} | | | | | 60,3 |
| 65 | | | | 83 | 85 | ±0,5 | | | | | | 73,0 |
| 70 | | | | | | ±0,5 | 84 ^{+3,0} _{0,0} | | | | | |
| 80 | | 98 | 102 | 100 | 104 | ±0,5 | | | | | | 88,9 |
| 100 | 118 | 120 | 128 | 124 | 130 | ±0,5 | 116 ^{+3,0} _{0,0} | 118 ^{+2,0} _{-2,0} | | | | 114,3 |
| 100 | | | | | | ±0,5 | | | | | | |
| 125 | 145 | 149 | 154 | 153 | 159 | ±0,5 | 141 ^{+3,0} _{0,0} | 143 ^{+2,0} _{-2,0} | | | | 139,7 |
| 125 | | | | | | ±0,5 | | | | | | |
| 150 | 172 | 178 | 184 | 182 | 190 | ±0,5 | 168 ^{+3,0} _{0,0} | 170 ^{+3,0} _{-2,0} | 168 | | | 168,3 |
| 150 | | | | | | ±0,5 | | | | | | |
| 200 | 226 | 234 | 243 | 240 | 252 | ±0,5 | 220 ^{+3,0} _{0,0} | 222 ^{+3,0} _{-2,0} | 220 ^{+0,4} _{-1,2} | | 200 ^{+0,3} _{-0,5} | 219,1 |
| 200 | | | | | | ±0,5 | | | | | | |
| 250 | 278 | 286 | 288 | 296 | 308 | ±0,5 | | 274 ^{+6,0} _{-1,0} | 272 ^{+0,4} _{-1,2} | | 250 ^{+0,4} _{-0,5} | 273,0 |
| 250 | | | | | | ±0,5 | | | | | | |
| 300 | 334 | 342 | 346 | 352 | 368 | ±0,7 | | 328 ^{+6,0} _{-1,0} | 324 ^{+0,4} _{-1,2} | | 315 ^{+0,4} _{-0,6} | 323,9 |
| 350 | 388 | 400 | 404 | 410 | 428 | ±0,7 | | | 376 ^{+0,5} _{-1,1} | | | 368,0 |
| 400 | 442 | 456 | 460 | 470 | 488 | ±0,7 | | | 427 ^{+0,5} _{-1,1} | | 401 ^{+0,5} _{-1,0} | 429,0 |
| 400 | | | | | | ±0,7 | | | | | | |
| 500 | 550 | 564 | | 582 | 606 | ±0,9 | | | | 530 ^{+0,6} _{-1,2} | 501 ^{+0,6} _{-1,2} | 532,0 |
| 500 | | | | | | ±0,9 | | | | | | |
| 600 | 660 | 678 | | 698 | 726 | ±0,9 | | | 616 ^{+0,6} _{-1,4} | | | |
| 700 | 764 | 786 | 792 | 806 | 838 | ±1,2 | | | 718 ^{+0,6} _{-1,7} | | | |
| 800 | 872 | 896 | | 922 | 958 | ±1,2 | | | 820 ^{+0,9} _{-2,0} | | | |
| 900 | 982 | 1008 | | 1036 | 1078 | ±1,2 | | | 924 ^{+0,9} _{-2,3} | | | |
| 1000 | 1090 | 1120 | 1126 | 1152 | 1198 | ±1,2 | | | 1026 ^{+1,0} _{-2,4} | | | |
| 1100 | | | | | | | | | | | 1099 | |
| 1200 | | | | | | | | | 1229 ^{+1,2} _{-2,6} | | | |

AZ in (D) = Asbestzementrohr <=> asbestos cement pipe in (GB)
 FZ in (D) = Faserzementrohr <=> fibre cement pipe in (GB)