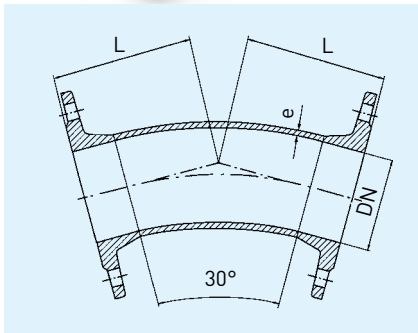


FFK-Stücke 30°, PN 10/16 (25 und 40 auf Anfrage), Flanschbogen 30° nach FGR 71 oder Werksnorm
Double flanged bend 30° / 1/12, PN 10/16 (25 and 40 upon request), according to FGR 71 or factory standard



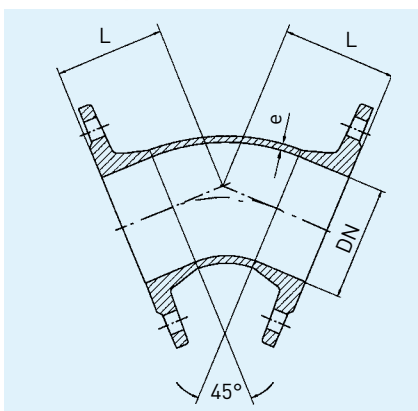
| Maße in mm · dimensions in mm | | | kg/Stück kg/piece |
|-------------------------------|-----|------|----------------------|
| DN | L | e | |
| 40 | 140 | 7,0 | 8,0 |
| 50 | 150 | 7,0 | 9,0 |
| 65 | 165 | 7,0 | 12,0 |
| 80 | 120 | 7,0 | 9,7 |
| 100 | 140 | 7,2 | 12,6 |
| 125 | 150 | 7,5 | 16,1 |
| 150 | 160 | 7,8 | 21,5 |
| 200 | 180 | 8,4 | 28,6 |
| 250 | 210 | 9,0 | 41,5 |
| 300 | 255 | 9,6 | 63,5 |
| 350 | 165 | 10,2 | 70,2 |
| 400 | 183 | 10,8 | 85,8 |
| 500 | 220 | 12,0 | 129,5 |
| 600 | 309 | 13,2 | 230,0 |
| 700 | 346 | 14,4 | 360,0 |
| 800 | 383 | 15,6 | 493,0 |

Achtung! Bohrbilder ab DN 200 ändern sich bei Druckstufe PN 16!

Attention! At pressure stage PN 16 drilling changes from DN 200!

FFK 45°

FFK-Stücke 45°, PN 10/16 (25 und 40 auf Anfrage), Flanschbogen 45° nach FGR 71 und DIN EN 545
Double flanged bend 45° / 1/8, PN 10/16 (25 and 40 upon request), according to FGR 71 and DIN EN 545



| Maße in mm · dimensions in mm | | | kg/Stück kg/piece |
|-------------------------------|-----|------|----------------------|
| DN | L | e | |
| 40 | 140 | 7,0 | 7,0 |
| 50 | 150 | 7,0 | 7,1 |
| 65 | 165 | 7,0 | 12,0 |
| 80 | 130 | 7,0 | 11,1 |
| 100 | 140 | 7,2 | 12,0 |
| 125 | 150 | 7,5 | 16,1 |
| 150 | 160 | 7,8 | 22,1 |
| 200 | 180 | 8,4 | 29,0 |
| 250 | 350 | 9,0 | 53,3 |
| 300 | 400 | 9,6 | 85,1 |
| 350 | 298 | 10,2 | 96,1 |
| 400 | 324 | 10,8 | 108,0 |
| 500 | 375 | 12,0 | 185,8 |
| 600 | 426 | 13,2 | 288,0 |
| 700 | 478 | 14,4 | 489,0 |
| 800 | 529 | 15,6 | 403,0 |
| 1000 | 632 | 18,0 | 727,9 |

Achtung! Bohrbilder ab DN 200 ändern sich bei Druckstufe PN 16!

Attention! At pressure stage PN 16 drilling changes from DN 200!